



Split Solar Street Light Specification (150–200W)



Tel:(886) 6-202 22 02 #183

Address: No.168, Youngkehuan Rd., Yongkang Dist., Tainan City 71041, Taiwan.R.O.C.

<http://www.hengs.com>

1. Brief Introduction

This split solar street light is composed of solar panel, LED light source, lithium battery, charge and discharge controller, support adjusting bracket and aluminum alloy lamp housing. It combines many practical control technologies such as photoelectric conversion, constant current control, MPPT controller and mobile phone Bluetooth app intelligent control. It has functions of time control, light control and mobile app control. The solar panel and the lamp holder have angle adjustment function.



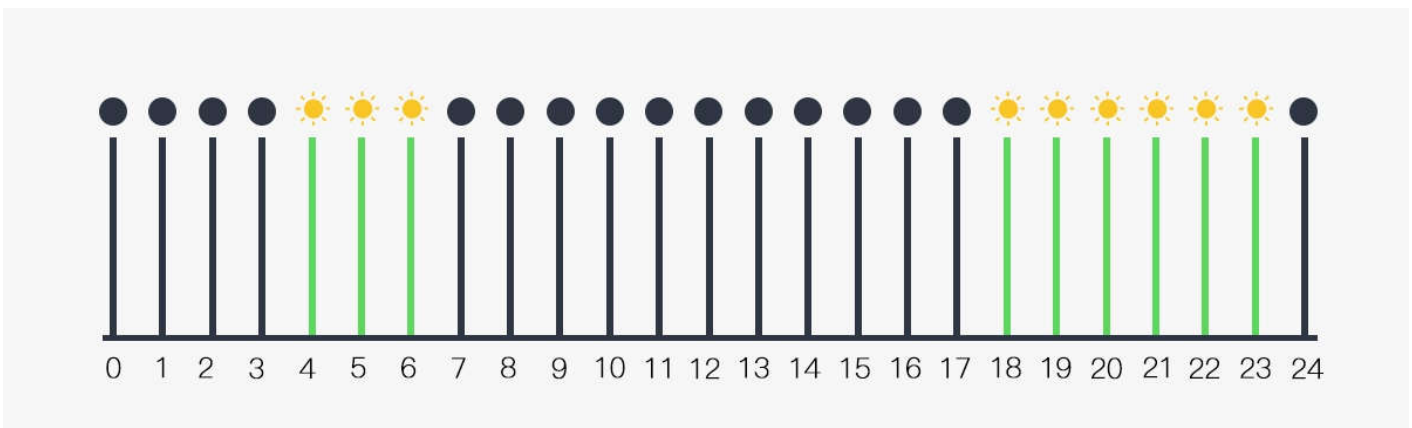
(Schematic drawing)

2. Functions

(1). Light control: the street light can automatically turn on/off by checking whether it is dark/bright according to the brightness of the current environment.



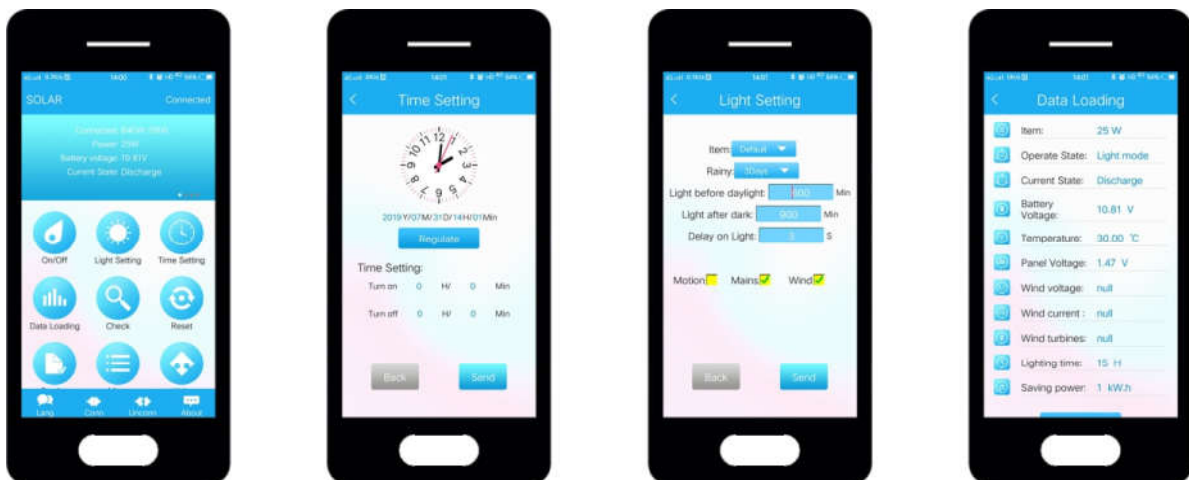
(2). Time control: set different brightness in different period of time.



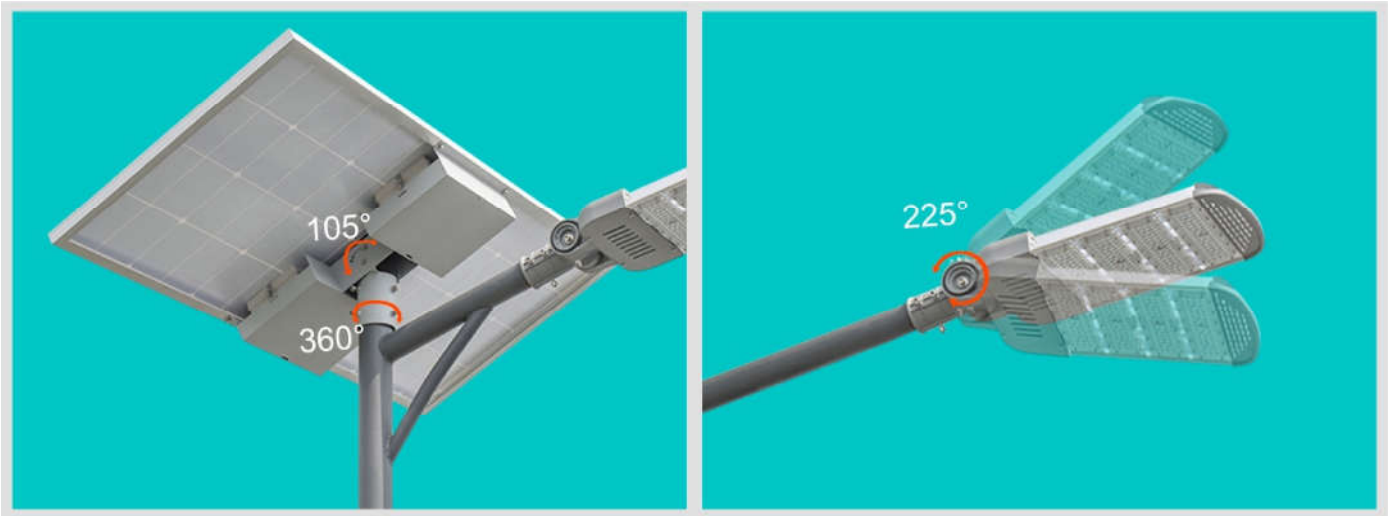
Light up from 4:00 AM to 6:00 AM

Light up from 18:00 PM to 23:00 PM

(3). Mobile phone Bluetooth app control: check the current state of the street light on the mobile phone in real time and reset various parameters of the street light. The product can support Bluetooth networking group control (optional).



4. Angle adjustment: the angle of solar panel and lamp holder can be adjusted. The solar panel can be adjusted horizontally 360° and vertically 105°. The maximum adjustment angle can reach 225° .



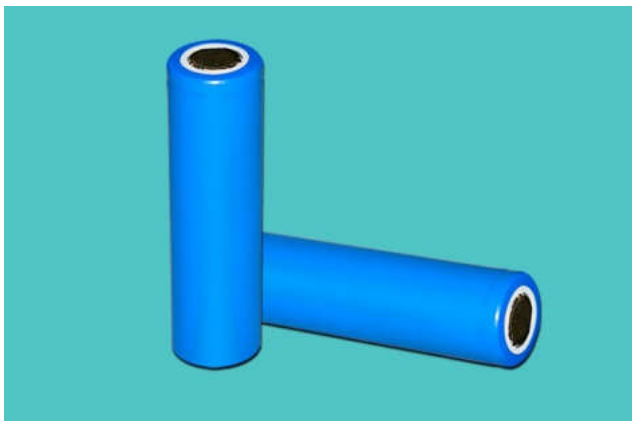
3.Components



Solar panel: High efficiency monocrystalline solar cell, photoelectric conversion efficiency up to 21%



LED source: High bright A-class LED, luminous efficiency up to 170lm/w



Battery: Power lithium ion battery, cycle times more than 1500



Controller: Self-developed MPPT controller, higher charging efficiency up to 97% and full protections

HENGS-150D

Electrical Characteristic

Rated Power	150W
Solar Panel	30V/130W
Lithium Battery	22.2V/57.2AH
Charging Time	6-8H
Discharging Time	> 36H
Working Temperature	-25°C~+65°C
Switch Threshold	15LUX

LED Parameters

LED	3030/60*3Pcs
Lumen Flux	19500-22500 LM
Luminous Efficiency	130-150LM/W
Light Distribution	Type II
Color Temperature (CCT)	2800-6500K

Mechanical Specification

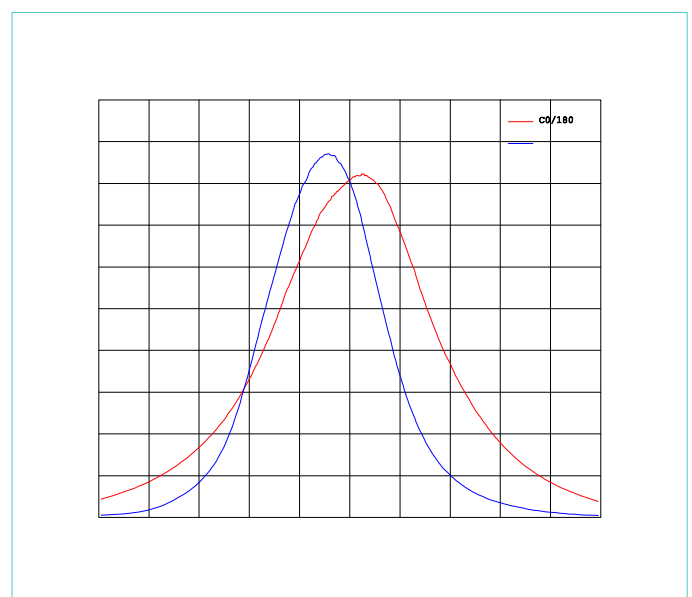
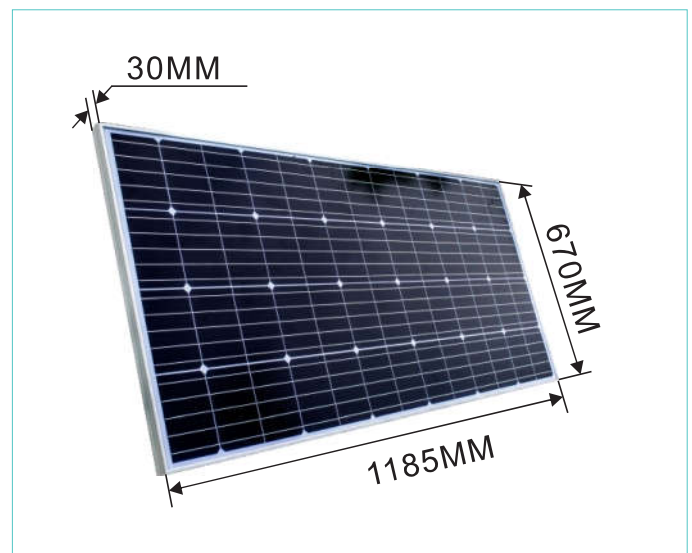
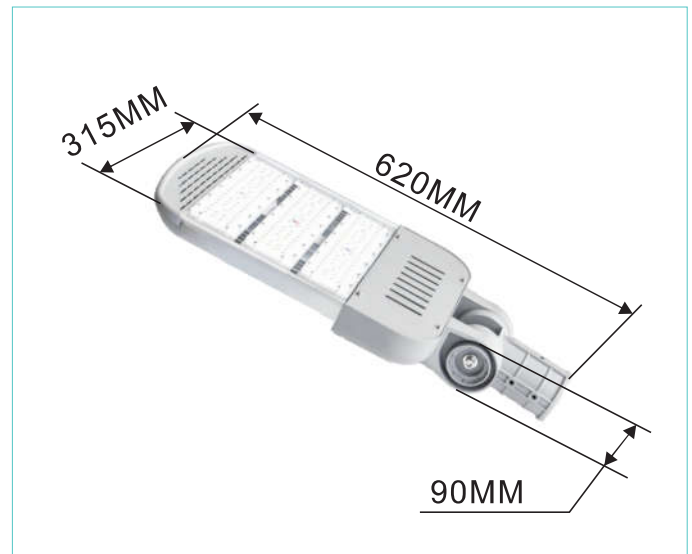
Light Body Size	620x315x90MM
Solar Panel Size	1185x670x30MM
Net Weight	23KG
Installation Height	11-13M
Pole Distance	35-45M

Packing Dimension

Packing Type	1set/1carton
Light Packing Box	1195x725x210MM

Functions

Light Control/Time Control
Bluetooth APP



HENGS-200D

Electrical Characteristic

Rated Power	200W
Solar Panel	30V/165W
Lithium Battery	22.2V/67.6AH
Charging Time	6-8H
Discharging Time	> 36H
Working Temperature	-25°C~+65°C
Switch Threshold	15LUX

LED Parameters

LED	3030/60*4Pcs
Lumen Flux	26000-30000 LM
Luminous Efficiency	130-150LM/W
Light Distribution	Type II
Color Temperature (CCT)	2800-6500K

Mechanical Specification

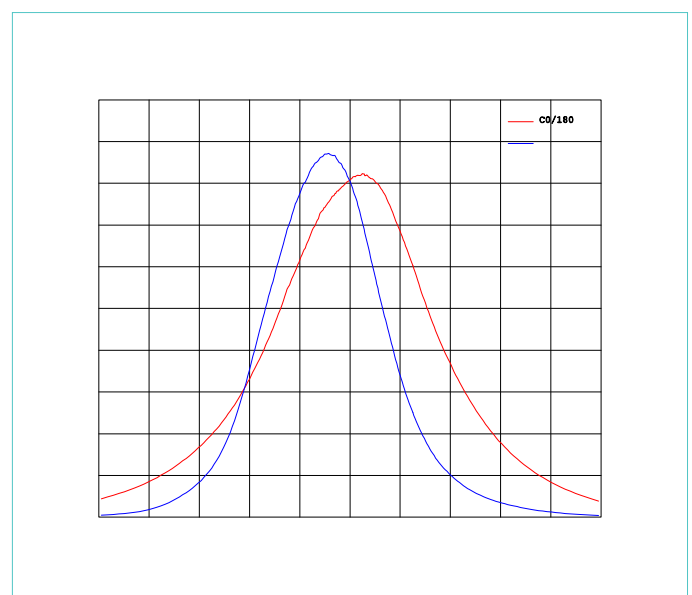
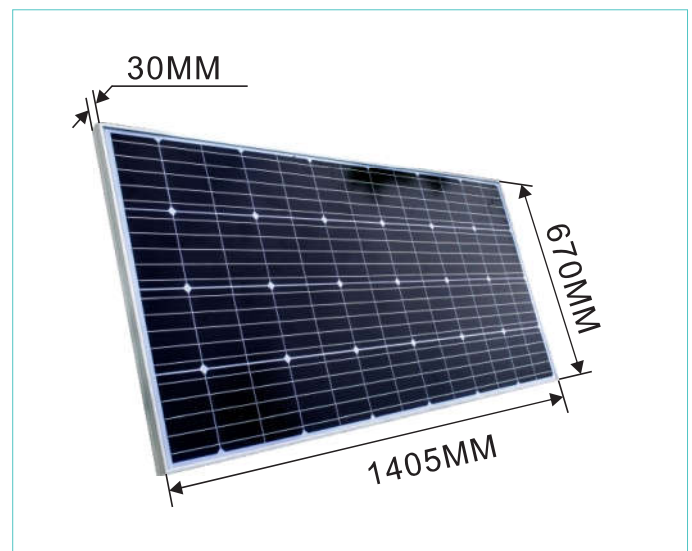
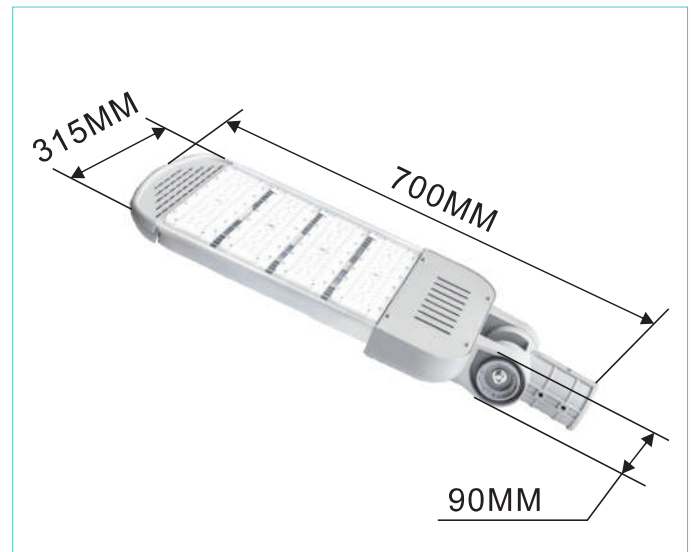
Light Body Size	700x315x90MM
Solar Panel Size	1405x670x30MM
Net Weight	26.5KG
Installation Height	12-14M
Pole Distance	40-50M

Packing Dimension

Packing Type	1set/1carton
Light Packing Box	1445x725x210MM

Functions

Light Control/Time Control
Bluetooth APP



5. Installation

- (1). Installed in places with good sunlight, and make sure no cover above the solar panel
- (2). The inner diameter of solar panel connecting sleeve is 82mm, and the inner diameter of light head socket is 60mm.

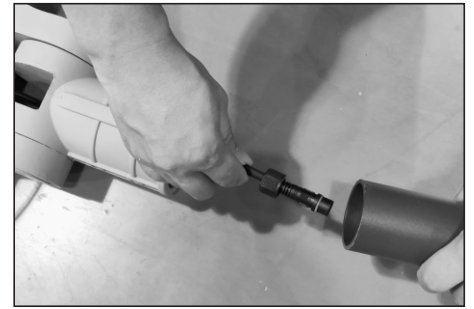
The installation method is as follows:



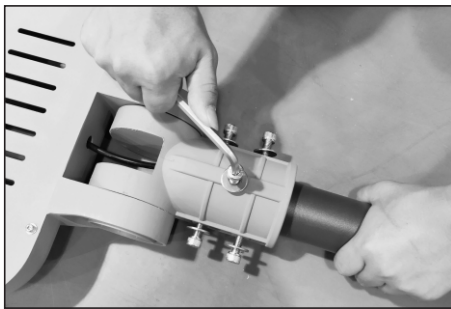
1. Fix the L-shape bracket on the solar panel with screws, make sure the cable through the hole first.



2. Install the supporting holder on the L-shape bracket, the small hole is designed for the solar panel direction adjusting.



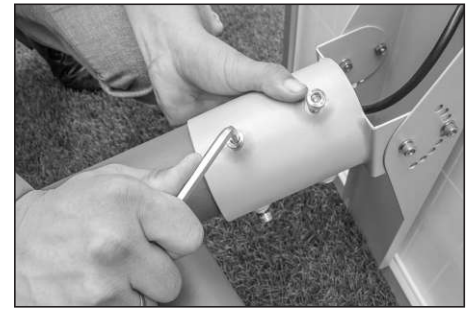
3. Let the light head cable enter from the supporting arm and out from the top of the light pole.



4. Adjust the light head and fasten it with screws.



5. Connect the light head cable and solar panel cable, please pay more attention to the mark "Arrow" and keep the connectors connected in a right way.



6. Insert the light pole into the supporting holder and fasten it, upright the light pole finally.

6. Maintenance and warranty

(1). Maintenance

The first month after installation and later every 6 months:

- Regularly clean the solar panel from dirt spots, dust or other things so as to assure the charging efficiency.
- Regular maintenance is suggested to keep tight locking of screws on the pole.

(2). Warranty

Product Warranty: We provide 2 years warranty

Disclaimer Declaration:

- ◆ The manufacturer shall not be responsible or liable for failure to perform all or any portion of this specification due to earthquake, flood, thunder or other natural hazards, and fire disaster which not caused by our products.
- ◆ The manufacturer shall not be responsible for damage and loss caused by any unforeseen events such as theft, traffic accidents.
- ◆ The manufacturer shall not be responsible for loss which not complied with this product manual.
- ◆ The manufacturer shall not be responsible for loss which caused by use in conjunction with irrelevant products.

Tel: (886) 6-202 22 02 #183

Address: No.168, Youngkehuan Rd., Yongkang Dist., Tainan City 71041, Taiwan.R.O.C.

<http://www.hengs.com>